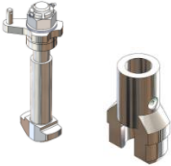

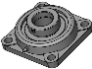
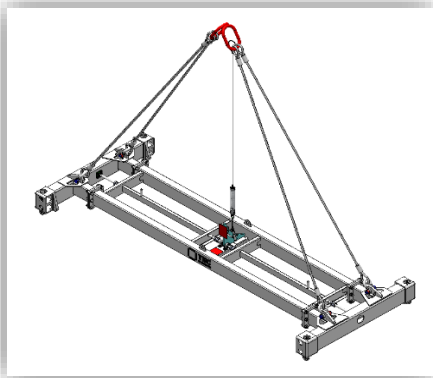


MECHANICAL PARTS				
PART	COMPOSED OF	IMAGE AS DELIVERED		TEC REF.
TWISTLOCK KIT	Twistlock <b>(1 unit)</b> Twistlock nut <b>(1 unit)</b> Bronze washer <b>(1 unit)</b> Rod connection <b>(1 unit)</b> Twistlock guide <b>(1 unit)</b>			007202
SECURITY PIN KIT	Landing pin <b>(1 unit)</b> Espacers <b>(2 unit)</b> Landing pin spring <b>(1 unit)</b>			008989
BEARING (UCF 207)	<b>(1 unit)</b>			000866





**WE STRONGLY RECOMMEND TO PURCHASE:**

- 4 TWISTLOCK KITS
- 4 SECURITY PIN KITS
- 2 BEARINGS (UCF207)



\*References might change at any time.

When ordering a spare part, please indicate the serial number of the machine which the part will be installed in.  
 Detailed diagrams of parts installation are included in the manuals supplied together with the machine.

ELECTRICAL PARTS				
PART	COMPOSED OF	IMAGE AS DELIVERED		TEC REF.
TWISTLOCK INDUCTIVE SENSOR	Sensor <b>(1 unit)</b>			003158
LANDING PIN INDUCTIVE SENSOR	Sensor <b>(1 unit)</b>			003159
RED LED LIGHT	LED <b>(1 unit)</b>			001813
GREEN LED LIGHT	LED <b>(1 unit)</b>			1814
AMBER LED LIGHT	LED <b>(1 unit)</b>			1815

**WE STRONGLY RECOMMEND TO PURCHASE:**

- 1 TWISTLOCK INDUCTIVE SENSOR
- 1 LANDING PIN INDUCTIVE SENSOR
- 1 RED LED LIGHT
- 1 GREEN LED LIGHT
- 1 AMBER LED LIGHT



\*References might change at any time.  
 When ordering a spare part, please indicate the serial number of the machine which the part will be installed in.  
 Detailed diagrams of parts installation are included in the manuals supplied together with the machine.